

Cabinet U-Handles

Zinc Die Casting, with Electrical Switching Function

SPECIFICATION

Types

- Type **T1**: With 1 button
- Type **T2**: With 2 buttons

Connection types

- Type **K**: Cable
- Type **S**: Plug (with 0,25 m cable)

Handle

Zinc die casting **ZD**
Powder coated

- Black, RAL 9005, textured finish **SW**
- Silver, RAL 9006, textured finish **SR**

Button

Stainless steel AISI 304

Cable (Outer sheath)

Polyurethan PUR
Black

Light guide

Plastic
Crystal-clear Polycarbonate (PC)



INFORMATION

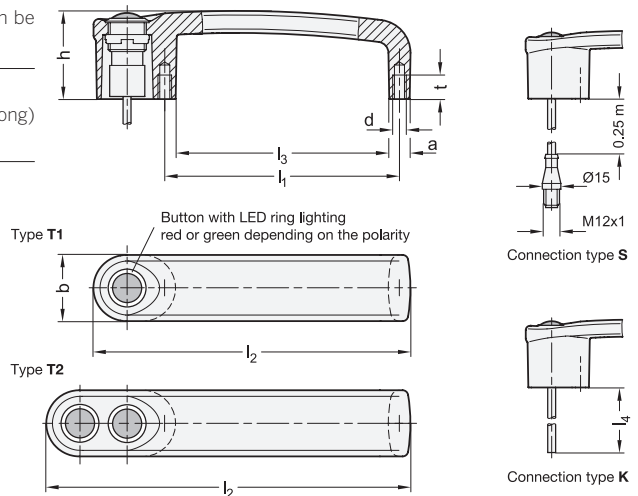
Cabinet U-handles GN 422 come with one or two push buttons. Each button has a changeover switch and integrated LED ring lighting. When the button is pressed, an electrical control impulse to switch off a machine, for example, can be triggered based on the wiring of the contacts (NC or NO). Independent whether or not the button is actuated, the integrated LED ring lighting shines either red or green depending on the polarity of connections 1 and 2 of the LED. The cabinet U-handle is functional and highly compact and can be used for any application due to its universal design.

ACCESSORY

- GN 330 Cables with Connector Coupling (5-pole, 5 or 10 meters long) (see page I448)

TECHNICAL INFORMATION

- Electrical and Mechanical Properties (see page)
- Load Rating Information (see page A35)
- Plastic Characteristics (see page A2)



* Complete with
SW SR
 RAL9005 RAL9006

GN 422-T1-K

Description	$l_1 \pm 0.2$	l_2	l_3	a	b	d	h	t	Cable length l_4 in meter	
GN 422-ZD-T1-K-2-*	117	158	105.5	10.2	33	M 6	44	12	2	582
GN 422-ZD-T1-K-5-*	117	158	105.5	10.2	33	M 6	44	12	5	740

GN 422-T1-S

Description	$l_1 \pm 0.2$	l_2	l_3	a	b	d	h	t	
GN 422-ZD-T1-S-*	117	158	105.5	10.2	33	M 6	44	12	516

GN 422-T2-K

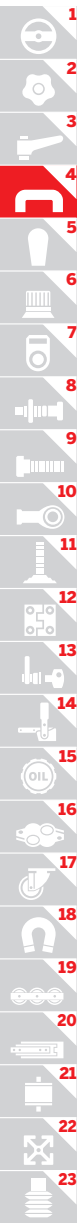
Description	$l_1 \pm 0.2$	l_2	l_3	a	b	d	h	t	Cable length l_4 in meter	
GN 422-ZD-T2-K-2-*	117	181.5	105.5	10.2	33	M 6	44	12	2	790
GN 422-ZD-T2-K-5-*	117	181.5	105.5	10.2	33	M 6	44	12	5	1070

GN 422-T2-S

Description	$l_1 \pm 0.2$	l_2	l_3	a	b	d	h	t	
GN 422-ZD-T2-S-*	117	181.5	105.5	10.2	33	M 6	44	12	630

Weight SW

Weight SW





Electrical and Mechanical Properties	
Button	
Contacts	Changeover contact, snap contact
Contact material	Silver alloy
Switching voltages	max. 125 V (plug) max. 240 V (cable)
Switching current	max. 3 A
mechanical lifespan	10 ⁶ switching cycles
electrical lifespan	50,000 switching cycles (under full load)
LED ring lighting	
Operating voltage / Operating current bi-color (red / green)	24 V DC ± 10 % / 7 mA
Category of use (button)	
	AC 15: 24 V AC / 1 A / DC 13: 24 V DC / 0.7 A AC 15: 110 V AC / 1 A / DC 13: 110 V DC / 0.2 A AC 15: 220 V AC / 0.5 A / DC 13: 220 V DC / 0.1 A
	according to IEC 60947-5-1
	AC: 120 V AC / 5 A / DC: 12 V DC / 1 A AC: 240 V AC / 3 A
	according to UL 508
Connection type	
Cable (K) or Plug connector (S)	PUR cable with open stranded wires (2 m or 5 m) 5-pin connector M12x1 with PUR cable 0.25 m
	Pin configuration and cable assignment
	 1 - green 2 - white 3 - yellow 4 - gray 5 - brown
Approvals, conformities	
CE declaration	

Installation Holes

The holes must be free of burrs to prevent damage to the cable.

